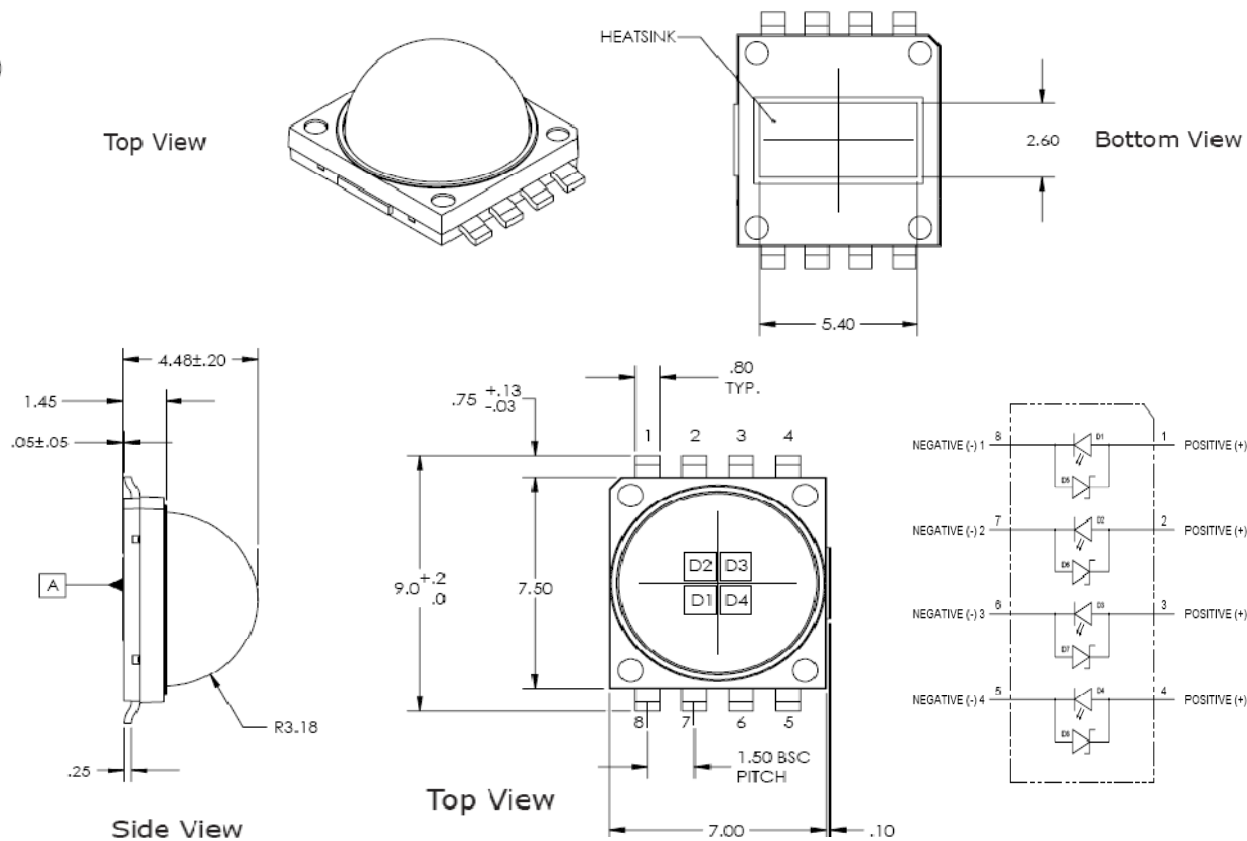
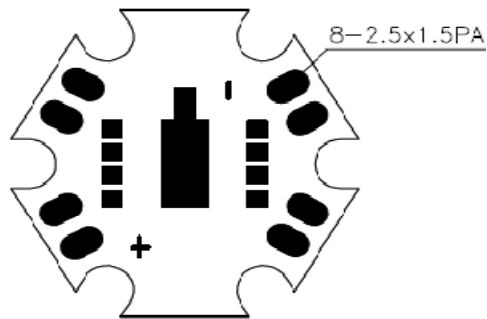
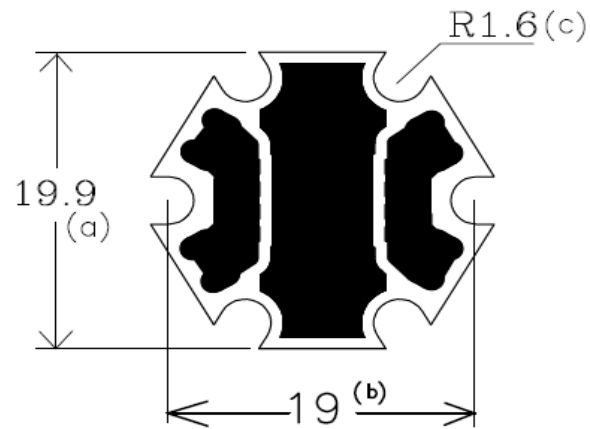


STAR MCPCB in series
White mask Gold letter



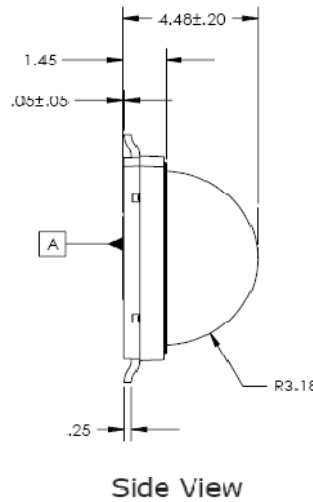
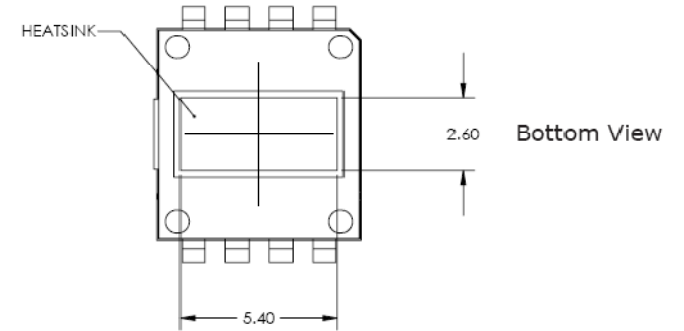
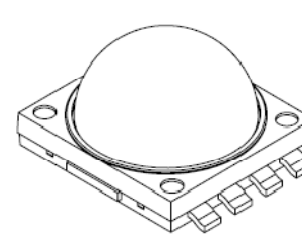
MCE XLamp

PART NO.	BRD	Circuit	BRD Drawing NO.	BRD Thickness	LED Color	LED Color bins	LED Flux Code	LED Lumen (min.)	each LED VF (typ.) @350mA	LED Viewing Angle
MCE4WT-A2-0000-00K07-STAR-SR	star	series	0194160C	2mm	cool white	WC,WD,Wf,WG,WN,WP	K	370lm	3.2V	110deg
MCE4WT-A2-0000-00M02-STAR-SR	star	series	0194160C	2mm	cool white	WC, WD, WG, WF	M	430lm	3.2V	110deg
MCE4WT-A2-0000-00KE4-STAR-SR	star	series	0194160C	2mm	neutral white	4A, 4B, 4C, 4D	K	370lm	3.2V	110deg
MCE4WT-A2-0000-00JF7-STAR-SR	star	series	0194160C	2mm	warm white	7A, 7B, 7C, 7D	J	320lm	3.2V	110deg

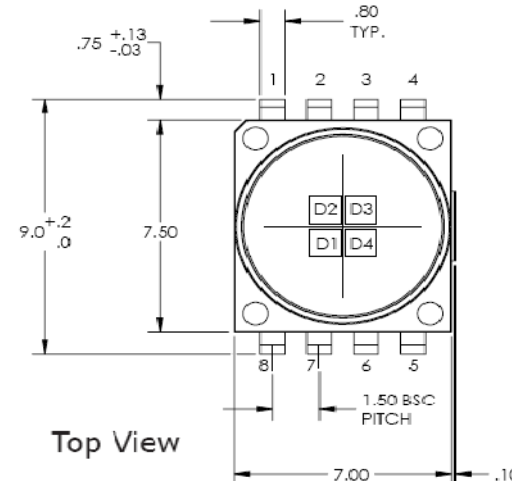


STAR MCPCB in parallel
White mask Gold letter

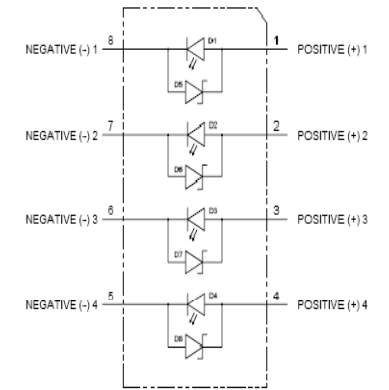
Top View



Side View

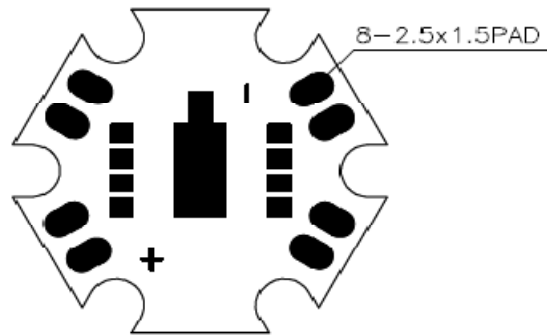
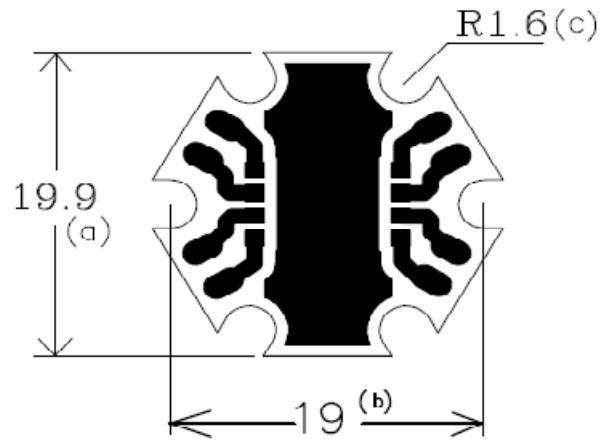


Top View



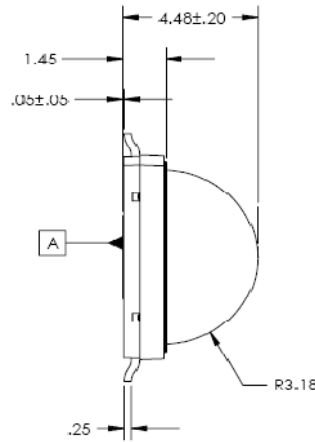
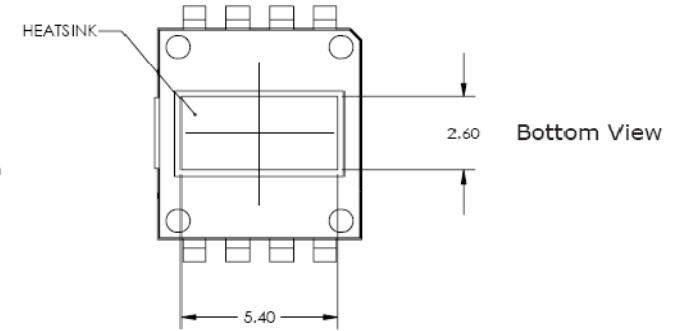
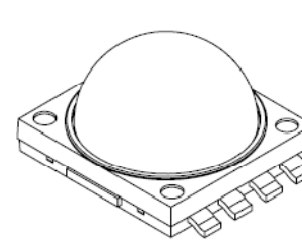
MCE XLamp

PART NO.	BRD	Circuit	BRD Drawing NO.	BRD Thickness	LED Color	LED Color bins	LED Flux Code	LED Lumen (min.)	each LED VF (typ.) @350mA	LED Viewing Angle
MCE4WT-A2-0000-00K07-STAR-P	star	parallel	0194211A	2mm	cool white	WC,WD,WF,WG,WN,WP	K	370lm	3.2V	110deg
MCE4WT-A2-0000-00M02-STAR-P	star	parallel	0194211A	2mm	cool white	WC, WD, WG, WF	M	430lm	3.2V	110deg
MCE4WT-A2-0000-00KE4-STAR-P	star	parallel	0194211A	2mm	neutral white	4A, 4B, 4C, 4D	K	370lm	3.2V	110deg
MCE4WT-A2-0000-00JF7-STAR-P	star	parallel	0194211A	2mm	warm white	7A, 7B, 7C, 7D	J	320lm	3.2V	110deg

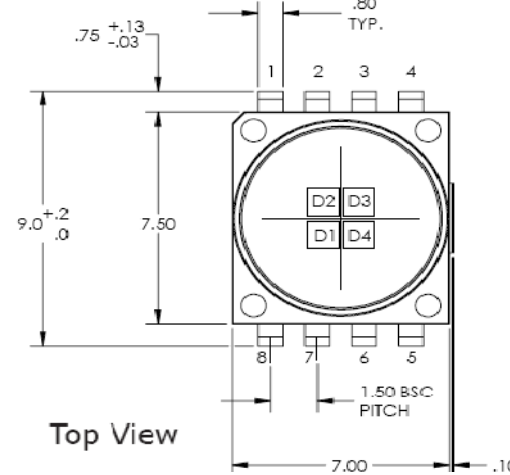


STAR MCPCB in individual
White mask Gold letter

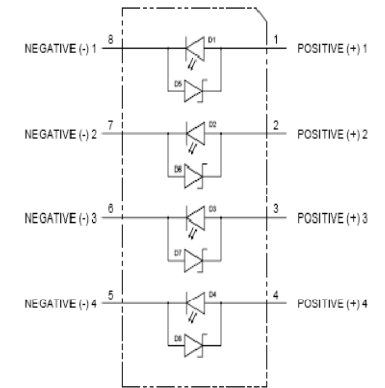
Top View



Side View



Top View



MCE XLamp

PART NO.	BRD	Circuit	BRD Drawing NO.	BRD Thickness	LED Color	LED Color bins	LED Flux Code	LED Lumen (min.)	each LED VF (typ.) @350mA	LED Viewing Angle
MCE4WT-A2-0000-00K02-STAR-IND	star	individual	0194181A	2mm	cool white	WC,WD,Wf,WG,WN,WP	K	370lm	3.2V	110deg
MCE4WT-A2-0000-00M02-STAR-IND	star	individual	0194181A	2mm	cool white	WC, WD, WG, WF	M	430lm	3.2V	110deg
MCE4WT-A2-0000-00KE4-STAR-IND	star	individual	0194181A	2mm	neutral white	4A, 4B, 4C, 4D	K	370lm	3.2V	110deg
MCE4WT-A2-0000-00JF7-STAR-IND	star	individual	0194181A	2mm	warm white	7A, 7B, 7C, 7D	J	320lm	3.2V	110deg
MCE4CT-A2-RGBNW-STAR-IND	star	individual	0194181A	2mm	RGB+NW	R/G/B/5A~5D	--	--	--	110deg
MCE4CT-A2-RGBCW-STAR-IND	star	individual	0194181A	2mm	RGB+CW	R/G/B/WC, WD, WF, WG	--	--	--	110deg